

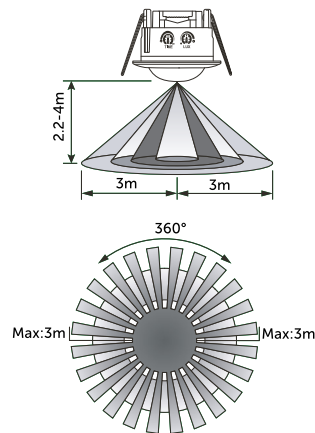
Foxbridgesensor

Recessed Mount PIR Sensor

- High sensitivity movement detection with daylight harvesting
- Tamper proof changeable lux & time delay settings
- Cable clamp mechanism for easy of installation
- Easy to wire with push fit terminals



Installation Height: 2.2m-4m



Detection Distance: Max. 6m

Cut Out Ø63-66mm

5 Year Silver Warranty

| Code | Description | ØxD (mm) |
|-------|---------------------------|----------|
| 70407 | Recessed Mount PIR Sensor | 76x62 |

| | | | |
|--|---------------------------------------|-----------------------|-------------------------------------|
| Quality Assured Product Warranty ¹ 5 Year | Water & Dust Protected IP20 | Sensing PIR | Mounting Options Recessed |
|--|---------------------------------------|-----------------------|-------------------------------------|

| Technical Specification | |
|-------------------------|---|
| Construction | Polycarbonate Flame Retardant Body, ABS |
| Input Voltage | 200-220 VAC |
| Frequency | 50/60 Hz |
| Operating Temp | -20°C to +35°C |
| Load Capacity | LED 300W Halogen 1200W |
| Time Delay | 10s-7m |
| Lux Settings | <10-2000lux |
| Protection Class | Class II |
| Standard | CE & UKCA |

